



Safety , Efficient & Earth friendly

AC Pin Interchangeable AC/DC Adaptor 15W Series

Product Highlights:

- ✓ Stability
- ✓ Compact type
- ✓ Energy efficiency
- ✓ Available with IEC C6 & C8 inlet type
- ✓ Suit LCD display, digital camera, multimedia player etc.

Protection:

- ✓ Short circuit protection
- ✓ Over Voltage Protection
- ✓ Over Current Protection

Efficiency:

- ✓ CEC Leve 5
- ✓ Energy Star 2.0

UI Series



Safety Approvals:

- ✓ UL60950
- ✓ CAN/CSA C22.2 NO. 60950
- ✓ EN60950-1
- ✓ CE (Low Voltage Directive)
- ✓ AS/NZS 60950.1
- ✓ PSE
- ✓ GB4943-2001
- ✓ PSB
- ✓ K60950
- ✓ GOST
- ✓ CEC-400
- ✓ CNS14336

Emissions:

- ✓ FCC Part15 Class B
- ✓ CE CISPR 22 Class B
- ✓ VCCI Class B
- ✓ AS/NZSCISPR22
- ✓ CNS13438 Class B

Immunity:

- ✓ EN55024/A1:2001
- ✓ Electrostatic discharge: 61000-4-2
- ✓ Radiated electromagnetic fields:61000-4-3
- ✓ Fast transients (Burst): 61000-4-4
- ✓ Surge transients: 61000-4-5
- ✓ Conducted disturbance: 61000-4-6
- ✓ Voltage dips, interruptions & Variations:61000-4-11

Electrical Spec:

Absolute Maximum Rating

Input					
Description	Min	Typ	Max	Units	Comment
Voltage	90	120/240	264	VAC	2 Wire No Protection Ground
Frequency	47	50/60	63	Hz	

Environmental					
Description	Min	Typ	Max	Units	Comment
Operating Temperature	0	-	40	°C	Free Convection,Sea level
Non-Operating Temperture	-20	-	65	°C	Free Convection,Sea level
Operating Humidity	10	-	90	%RH	No Condensing
Non-Operating Humidity	10	-	90	%RH	No Condensing

Typical model list:

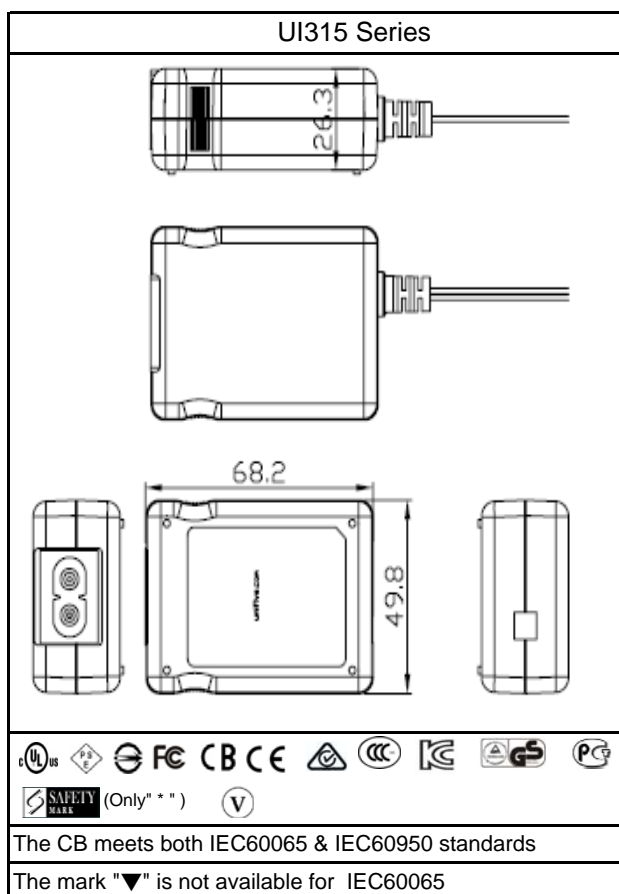
AC Pin Interchangeable AC/DC Adaptor 15W Series

Input Condition	DC Output Voltage	DC Output Current	Output Voltage Precision	Ripple & Noises	Regulation		Option/Remark	
					Line	Load		
Input Voltage: 90V-264Vac Frequency: 47-63Hz	1	3V	2.5A	-8%~+15%	50mV	±1%	±5%	
	2	3.3A	2.5A	-5%~+8%	50mV	±1%	±5%	
	3	5V	2.5A	±5%	50mV	±1%	±5%	
	4	6V	2.3A	±5%	60mV	±1%	±5%	
	5	7.5V	2.0A	±5%	70mV	±1%	±5%	
	6	9V	1.6A	±5%	90mV	±1%	±5%	
	7	10V	1.5A	±5%	100mV	±1%	±5%	
	8*	12V	1.25A	±5%	120mV	±1%	±5%	
	9*	15V	1.0A	±5%	150mV	±1%	±5%	
	10	24V	0.65A	±5%	240mV	±1%	±5%	
	11▼	48V	0.3A	±5%	200mV	±1%	±5%	
	12	-	-	-	-	-	-	-

Measurement condition

1. Measurements shall be made with an oscilloscope with 20MHz bandwidth.
2. Outputs shall be bypassed at the connector with a 0.1uF ceramic disk capacitor and a 10uF electrolytic capacitor to simulate system loading.

Mechanical Spec:



Packing Spec:

Type	Pcsper Carton	Gross Weight (kg)	Net Weight(kg)	Size(mm)	CBM(m2)	Container	Ctn/Container	Pcs/Container	Gross Weingt (Ton)	Remark
UI315	120	19.2	16.2	565×393×255	1×1.2	20	400	48000	7920	With Gift Box
	120	19.2	16.2	565×393×255	1×1.2	20	400	48000	7920	Bulk package