



Safety , Efficient & Earth friendly

Semi Switching AC/DC Adaptor 18W Series Wall Mount

UD&UDE&UDR&UDK&UDA&UDY Series

Product Highlights:

- ✓ Cost efficiency
- ✓ Compact size
- ✓ Energy efficiency
- ✓ Available at Australia, Europe,China,Korea & UK type
- ✓ Suit cordless telephone, radio device etc.
- ✓ Low Noise

Protection:

- ✓ Short circuit protection
- ✓ Over Voltage Protection
- ✓ Over Current Protection

Efficiency:

- ✓ CEC Level 5
- ✓ Energy Star 2.0



Safety Approvals:

- ✓ UL60950
- ✓ CAN/CSA C22.2 NO. 60950
- ✓ CE (Low Voltage Directive)
- ✓ PSE

Emissions:

- ✓ CE CISPR 22 Class B
- ✓ VCCI Class B

Immunity:

- ✓ EN55024/A1:2001
- ✓ Electrostatic discharge: 61000-4-2
- ✓ Radiated electromagnetic fields:61000-4-3
- ✓ Fast transients (Burst): 61000-4-4
- ✓ Surge transients: 61000-4-5
- ✓ Conducted disturbance: 61000-4-6
- ✓ Voltage dips, interruptions & Variations:61000-4-11

Electrical Spec:

Absolute Maximum Rating

UD1018	Input					
	Description	Min	Typ	Max	Units	Comment
	Voltage	90	100	110	VAC	2 Wire No Protection Ground
	Frequency	47	50/60	63	Hz	
UD1218	Input					
	Description	Min	Typ	Max	Units	Comment
	Voltage	108	120	132	VAC	2 Wire No Protection Ground
	Frequency	47	50/60	63	Hz	
UDX2218	Input					
	Description	Min	Typ	Max	Units	Comment
	Voltage	198	220	242	VAC	2 Wire No Protection Ground
	Frequency	47	50/60	63	Hz	
UDX2318	Input					
	Description	Min	Typ	Max	Units	Comment
	Voltage	207	230	253	VAC	2 Wire No Protection Ground
	Frequency	47	50/60	63	Hz	
UDA2418	Input					
	Description	Min	Typ	Max	Units	Comment
	Voltage	216	240	264	VAC	2 Wire No Protection Ground
	Frequency	47	50/60	63	Hz	

Environmental					
Description	Min	Typ	Max	Units	Comment
Operating Temperature	0	-	40	°C	Free Convection,Sea level
Non-Operating Temperture	-20	-	65	°C	Free Convection,Sea level
Operating Humidity	10	-	90	%RH	No Condensing
Non-Operating Humidity	10	-	90	%RH	No Condensing

Typical model list:

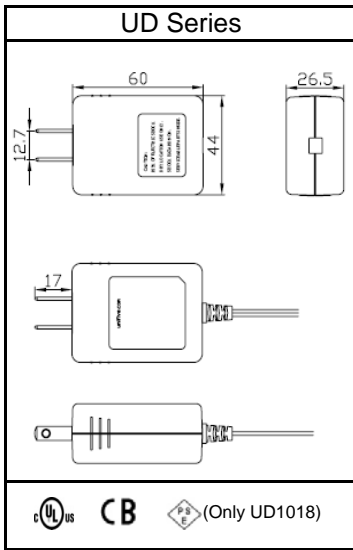
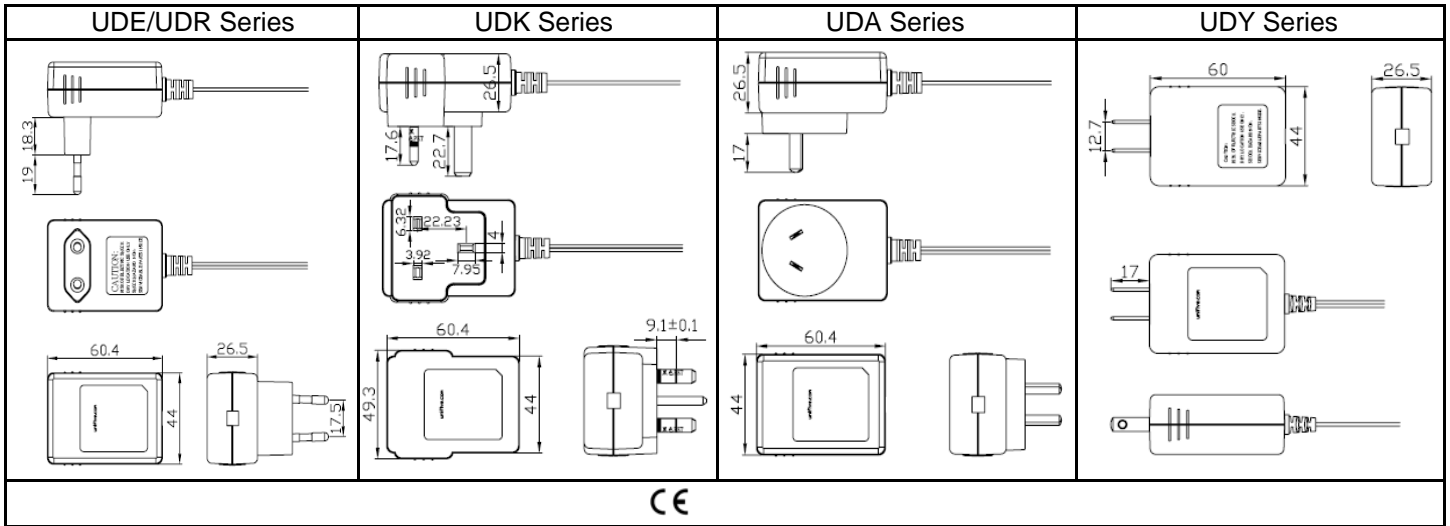
Semi Switching AC/DC Adaptor 18W Series Wall Mount

Input Condition	DC Output Voltage	DC Output Current	Output Voltage Precision	Ripple & Noises	Option/Remark
1	12V	1.5A	-5%~+20%	2V	
2	-	-	-	-	-

Measurement condition

1. Measurements shall be made with an oscilloscope with 20MHz bandwidth.
2. Outputs shall be bypassed at the connector with a 0.1uF ceramic disk capacitor and a 10uF electrolytic capacitor to simulate system loading.

Mechanical Spec:



Packing Spec:

Type	Pcsper Carton	Gross Weight (kg)	Net Weighgt(kg)	Size(mm)	CBM(m2)	Container	Ctn/Container	Pcs/Container	Gross Weingt (Ton)	Remark
UD1018	120	16.2	13.2	565x393x255	1x1.2	20	400	48000	6720	With Gift Box
UD1218	120	16.2	13.2	565x393x255	1x1.2	20	400	48000	6720	Bulk package
UDE/UDR2218	84	13.08	10.08	565x393x255	1x1.2	20	400	33600	5472	With Gift Box
	80	12.6	9.6	565x393x255	1x1.2	20	400	32000	5280	Bulk package
UDK2318	84	13.08	10.08	565x393x255	1x1.2	20	400	33600	5472	With Gift Box
	80	12.6	9.6	565x393x255	1x1.2	20	400	32000	5280	Bulk package
UDA2418	84	13.92	10.92	565x393x255	1x1.2	20	400	33600	5808	With Gift Box
	80	13.4	10.4	565x393x255	1x1.2	20	400	32000	5600	Bulk package
UDY2218	120	16.2	13.2	565x393x255	1x1.2	20	400	48000	6720	With Gift Box
	120	16.2	13.2	565x393x255	1x1.2	20	400	48000	6720	Bulk package