

# I.T.E AC/DC Adaptor 60W Series Desktop

## UEA&UEB&UEC Series



### Product Highlights:

- ✓ Stability
- ✓ Compact size
- ✓ Energy efficiency
- ✓ Available with IEC C6, C8, C14 inlet type
- ✓ Suit LCD display, hand held computer, multimedia player etc.

### Protection:

- ✓ Short circuit protection
- ✓ Over Voltage Protection
- ✓ Over Current Protection

### Efficiency:

- ✓ CEC Leve 5
- ✓ Energy Star 2.0

### Safety Approvals:

- ✓ UL60950
- ✓ CAN/CSA C22.2 NO. 60950
- ✓ PSB
- ✓ CE (Low Voltage Directive)
- ✓ K60950
- ✓ GB4943-2001
- ✓ J60950

### Emissions:

- ✓ CNS13438 Class B
- ✓ GB9254-2008/GB17625.1-2003

### Immunity:

- ✓ EN55024/A1:2001
- ✓ Electrostatic discharge: 61000-4-2
- ✓ Radiated electromagnetic fields:61000-4-3
- ✓ Fast transients (Burst): 61000-4-4
- ✓ Surge transients: 61000-4-5
- ✓ Conducted disturbance: 61000-4-6
- ✓ Voltage dips, interruptions & Variations:61000-4-11

### Electrical Spec:

Absolute Maximum Rating

Input					
Description	Min	Typ	Max	Units	Comment
Voltage	90	120/240	264	VAC	2 Wire No Protection Ground
Frequency	47	50/60	63	Hz	

Environmental					
Description	Min	Typ	Max	Units	Comment
Operating Temperature	0	-	40	°C	Free Convection,Sea level
Non-Operating Temperture	-20	-	65	°C	Free Convection,Sea level
Operating Humidity	10	-	90	%RH	No Condensing
Non-Operating Humidity	10	-	90	%RH	No Condensing

Typical model list:

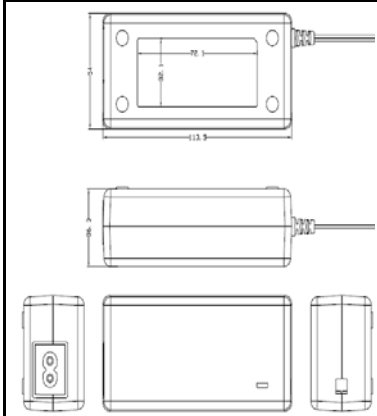
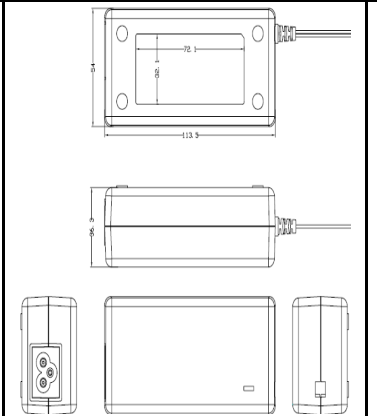
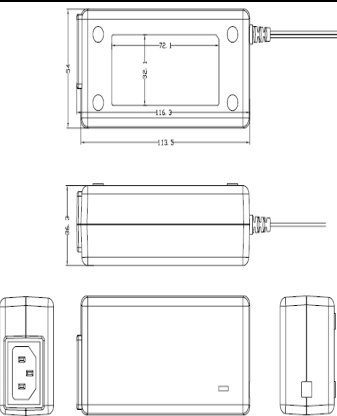
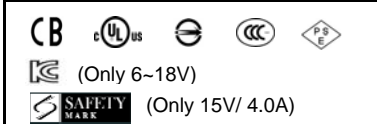


# I.T.E AC/DC Adaptor 60W Series Desktop

Input Condition	DC Output Voltage	DC Output Current	Output Voltage Precision	Ripple & Noises	Regulation		Option/Remark	
					Line	Load		
Input Voltage: 90V-264Vac Frequency: 47-63Hz	1	6V	5.0A	±5%	200mV	±1%	±5%	
	2	8V	5.0A	±5%	200mV	±1%	±5%	
	3	12V	4.0A	±5%	200mV	±1%	±5%	
	4	12V	4.2A	±5%	200mV	±1%	±5%	
	5	12V	5.0A	±5%	200mV	±1%	±5%	
	6	15V	4.0A	±5%	300mV	±1%	±5%	
	7	18V	3.33A	±5%	180mV	±1%	±5%	
	8	24V	2.5A	±5%	240mV	±1%	±5%	
	9	27V	2.2A	±5%	300mV	±1%	±5%	
	10	-	-	-	-	-	-	-

Measurement condition

1. Measurements shall be made with an oscilloscope with 20MHz bandwidth.
2. Outputs shall be bypassed at the connector with a 0.1uF ceramic disk capacitor and a 10uF electrolytic capacitor to simulate system loading.

Mechanical

UEA Series	UEB Series	UEC Series
		
 <p>CB cULus CCC PSE KE (Only 6~18V) SAFETY MARK (Only 15V/ 4.0A)</p>	 <p>CB cULus PSE</p>	 <p>CB cULus PSE KE (Only 6~18V)</p>

Packing Spec:

Type	Pcsper Carton	Gross Weight (kg)	Net Weihgt(kg)	Size(mm)	CBM(m2)	Container	Ctn/Contai ner	Pcs/Contai ner	Gross Weingt (Ton)	Remark
UEA360	32	9.82	8.32	406x250x298	1x1.2	20	800	25600	8096	With Gift Box
	50	16	13	565x393x255	1x1.2	20	400	20000	6640	Bulk package
UEB360	32	9.82	8.32	406x250x298	1x1.2	20	800	25600	8096	With Gift Box
	50	16	13	565x393x255	1x1.2	20	400	20000	6640	Bulk package
UEC360	32	9.82	8.32	406x250x298	1x1.2	20	800	25600	8096	With Gift Box
	50	16	13	565x393x255	1x1.2	20	400	20000	6640	Bulk package