

LED Driver 15W Series Wall Mount

UKx Series



Product Highlights:

- ✓ Stability
- ✓ Compact size
- ✓ Energy efficiency
- ✓ Available at Japan,China, Taiwan, USA, Europe, UK & desktop type
- ✓ Optional constant current for LED lighting product
- ✓ PF>0.9

Protection:

- ✓ Short circuit protection
- ✓ Over Voltage Protection
- ✓ Over Current Protection

Safety Approvals:

- ✓ CE(Low Voltage Directive)
- ✓ IEC/EN61347
- ✓ GB19510.1
- ✓ IEC61347-2-13
- ✓ PSE

Emissions:

- ✓ EN 55015 : 2006+A1:2007

Immunity:

- ✓ Electrostatic discharge: 61000-4-2
- ✓ Radiated electromagnetic fields:61000-4-3
- ✓ Fast transients (Burst): 61000-4-4
- ✓ Surge transients: 61000-4-5
- ✓ Conducted disturbance: 61000-4-6
- ✓ Voltage dips, interruptions & Variations:61000-4-11

Electrical Spec:

Absolute Maximum Rating

Input					
Description	Min	Typ	Max	Units	Comment
Voltage	90	120/240	264	VAC	2 Wire No Protection Ground
Frequency	47	50/60	63	Hz	

Environmental					
Description	Min	Typ	Max	Units	Comment
Operating Temperature	0	-	40	°C	Free Convection,Sea level
Non-Operating Temperture	-20	-	65	°C	Free Convection,Sea level
Operating Humidity	5	-	95	%RH	No Condensing
Non-Operating Humidity	5	-	95	%RH	No Condensing

Typical model list:

LED Driver 15W Series Wall Mount

Input Condition	DC Output Voltage	DC Output Current	Max Output Voltage	Option/Remark	
Input Voltage: 90V-264Vac Frequency: 47-63Hz	1	12V	0.3A	20V	
	2	12V	0.35A	20V	
	3	12V	0.4A	20V	
	4	12V	0.5A	20V	
	5	12V	0.6A	20V	
	6	12V	0.7A	20V	
	7	12V	0.8A	20V	
	8	12V	0.9A	20V	
	9	12V	1.0A	20V	
	10	12V	1.05A	20V	
	11	15V	0.3A	22V	
	12	15V	0.35A	22V	
	13	15V	0.4A	22V	
	14	15V	0.5A	22V	
	15	15V	0.6A	22V	
	16	15V	0.7A	22V	
	17	15V	0.8A	22V	
	18	15V	0.9A	22V	
	19	15V	1.0A	22V	
	20	15V	1.05A	22V	
	21	18V	0.3A	27V	
	22	18V	0.35A	27V	
	23	18V	0.4A	27V	
	24	18V	0.5A	27V	
	25	18V	0.6A	27V	
	26	18V	0.7A	27V	
	27	18V	0.8A	27V	
	28	18V	0.9A	27V	
	29	22V	0.2A	32V	
	30	22V	0.3A	32V	
	31	22V	0.35A	32V	
	32	22V	0.4A	32V	
	33	22V	0.5A	32V	
	34	22V	0.6A	32V	
	35	22V	0.7A	32V	
	36	22V	0.8A	32V	
	37	33V	0.1A	42V	
	38	33V	0.2A	42V	
	39	33V	0.3A	42V	
	40	33V	0.35A	42V	
	41	33V	0.4A	42V	
	42	33V	0.5A	42V	
	43	36V	0.1A	46V	
	44	36V	0.2A	46V	
	45	36V	0.3A	46V	
	46	36V	0.35A	46V	
	47	36V	0.4A	46V	
	48	-	-	-	-

Mechanical Spec:

UKL/UKZ Series	UKK Series	UKE Series
<p>CB CE (Only UKL315)</p>	<p>CB CE</p>	<p>CB CE</p>

Packing Spec:

Type	Pcsper Carton	Gross Weight (kg)	Net Weihgt(kg)	Size(mm)	CBM(m2)	Container	Ctn/Contai ner	Pcs/Contai ner	Gross Weingt (Ton)	Remark
UKL/UKZ	63	9.69	8.19	406x250x298	1x1.2	20	800	50400	7992	With Gift Box
	100	16	13	565x393x255	1x1.2	20	400	40000	6640	Bulk package
UKE	42	7.254	5.754	406x250x298	1x1.2	20	800	33600	6043.2	With Gift Box
	60	11.22	8.22	565x393x255	1x1.2	20	400	24000	4728	Bulk package
UKK	42	7.38	5.88	406x250x298	1x1.2	20	800	33600	6144	With Gift Box
	60	11.4	8.4	565x393x255	1x1.2	20	400	24000	4800	Bulk package

LED Driver 15W Series Desktop

UJC & UJD Series

Product Highlights:

- ✓ Stability
- ✓ Compact size
- ✓ Energy efficiency
- ✓ Available at Japan,China, Taiwan, USA, Europe, UK & desktop type
- ✓ Optional constant current for LED lighting product
- ✓ PF>0.9

Protection:

- ✓ Short circuit protection
- ✓ Over Voltage Protection
- ✓ Over Current Protection



Safety Approvals:

- ✓ CE(Low Voltage Directive)
- ✓ IEC/EN61347
- ✓ GB19510.1
- ✓ IEC61347-2-13
- ✓ PSE

Emissions:

- ✓ EN 55015 : 2006+A1:2007

Immunity:

- ✓ Electrostatic discharge: 61000-4-2
- ✓ Radiated electromagnetic fields:61000-4-3
- ✓ Fast transients (Burst): 61000-4-4
- ✓ Surge transients: 61000-4-5
- ✓ Conducted disturbance: 61000-4-6
- ✓ Voltage dips, interruptions & Variations:61000-4-11

Electrical Spec:

Absolute Maximum Rating

Input					
Description	Min	Typ	Max	Units	Comment
Voltage	90	120/240	264	VAC	2 Wire No Protection Ground
Frequency	47	50/60	63	Hz	

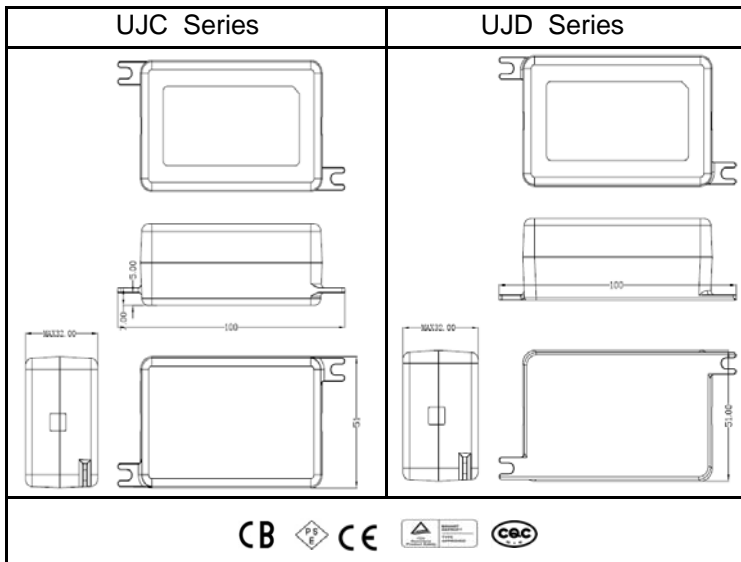
Environmental					
Description	Min	Typ	Max	Units	Comment
Operating Temperature	0	-	40	°C	Free Convection,Sea level
Non-Operating Temperture	-20	-	65	°C	Free Convection,Sea level
Operating Humidity	5	-	95	%RH	No Condensing
Non-Operating Humidity	5	-	95	%RH	No Condensing

Typical model list:

LED Driver 15W Series Desktop

Input Condition	DC Output Voltage	DC Output Current	Max Output Voltage	Option/Remark	
Input Voltage: 90V-264Vac Frequency: 47-63Hz	1	12V	0.3A	20V	
	2	12V	0.35A	20V	
	3	12V	0.4A	20V	
	4	12V	0.5A	20V	
	5	12V	0.6A	20V	
	6	12V	0.7A	20V	
	7	12V	0.8A	20V	
	8	12V	0.9A	20V	
	9	12V	1.0A	20V	
	10	12V	1.05A	20V	
	11	15V	0.3A	22V	
	12	15V	0.35A	22V	
	13	15V	0.4A	22V	
	14	15V	0.5A	22V	
	15	15V	0.6A	22V	
	16	15V	0.7A	22V	
	17	15V	0.8A	22V	
	18	15V	0.9A	22V	
	19	15V	1.0A	22V	
	20	15V	1.05A	22V	
	21	18V	0.3A	27V	
	22	18V	0.35A	27V	
	23	18V	0.4A	27V	
	24	18V	0.5A	27V	
	25	18V	0.6A	27V	
	26	18V	0.7A	27V	
	27	18V	0.8A	27V	
	28	18V	0.9A	27V	
	29	22V	0.2A	32V	
	30	22V	0.3A	32V	
	31	22V	0.35A	32V	
	32	22V	0.4A	32V	
	33	22V	0.5A	32V	
	34	22V	0.6A	32V	
	35	22V	0.7A	32V	
	36	22V	0.8A	32V	
	37	33V	0.1A	42V	
	38	33V	0.2A	42V	
	39	33V	0.3A	42V	
	40	33V	0.35A	42V	
	41	33V	0.4A	42V	
	42	33V	0.5A	42V	
	43	36V	0.1A	46V	
	44	36V	0.2A	46V	
	45	36V	0.3A	46V	
	46	36V	0.35A	46V	
	47	36V	0.4A	46V	
	48	-	-	-	-

Mechanical Spec:



Packing Spec:

Type	Pcsper Carton	Gross Weight (kg)	Net Weight(kg)	Size(mm)	CBM(m2)	Container	Ctn/Container	Pcs/Container	Gross Weight (Ton)	Remark
UJC/UJD315	60	8.7	7.2	406x250x298	1x1.2	20	800	48000	7200	With Gift Box

LED Driver 15W Series Dimmable

UJL & UJLW115 Series



Product Highlights:

- ✓ Stability
- ✓ Compact size
- ✓ Dimmable
- ✓ Energy efficiency
- ✓ Optional constant current for LED lighting product
- ✓ PF>0.9
- ✓ UJLW type for IP 67

Protection:

- ✓ Short circuit protection
- ✓ Over Voltage Protection
- ✓ Over Current Protection

Safety Approvals:

- ✓ PSE

Emissions:

- ✓ EN 55015 : 2006+A1:2007

Immunity:

- ✓ Electrostatic discharge: 61000-4-2
- ✓ Radiated electromagnetic fields:61000-4-3
- ✓ Fast transients (Burst): 61000-4-4
- ✓ Surge transients: 61000-4-5
- ✓ Conducted disturbance: 61000-4-6
- ✓ Voltage dips, interruptions & Variations:61000-4-11

Electrical Spec:

Absolute Maximum Rating

Input					
Description	Min	Typ	Max	Units	Comment
Voltage	90	100/120	264	VAC	2 Wire No Protection Ground
Frequency	47	50/60	63	Hz	

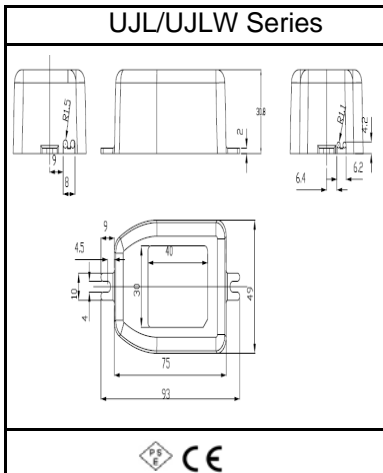
Environmental					
Description	Min	Typ	Max	Units	Comment
Operating Temperature	0	-	40	°C	Free Convection,Sea level
Non-Operating Temperature	-20	-	65	°C	Free Convection,Sea level
Operating Humidity	5	-	95	%RH	No Condensing
Non-Operating Humidity	5	-	95	%RH	No Condensing

Typical model list:

LED Driver 15W Series Dimmable

Input Condition	DC Output Voltage	DC Output Current	Maximum Output Power	Option/Remark
	1	15V	0.4A MAX	15W
	2	22V	0.4A MAX	15W
	3	32V	0.4A MAX	15W
	4	42V	0.3A MAX	15W
	5	-	-	-

Mechanical Spec:



Packing Spec:

Type	Pcsper Carton	Gross Weight (kg)	Net Weihgt(kg)	Size(mm)	CBM(m2)	Container	Ctn/Contai ner	Pcs/Contai ner	Gross Weingt (Ton)	Remark
UJL/UJLW115	60	8.7	7.2	406×250×298	1×1.2	20	800	48000	7200	With Gift Box