

LED Driver 30W Desktop Series

UJCW & UJVV Series



Product Highlights:

- ✓ Stability
- ✓ Compact size
- ✓ Energy efficiency
- ✓ Heat resistant for longer life time
- ✓ Optional constant current for LED lighting product (UJCW)
- ✓ Optional constant voltage for LED lighting product (UJVV)
- ✓ PF>0.9
- ✓ IP 67

Protection:

- ✓ Short circuit protection
- ✓ Over Voltage Protection
- ✓ Over Current Protection

Safety Approvals:

- ✓ PSE

Emissions:

- ✓ EN 55015 : 2006+A1:2007

Immunity:

- ✓ Electrostatic discharge: 61000-4-2
- ✓ Radiated electromagnetic fields:61000-4-3
- ✓ Fast transients (Burst): 61000-4-4
- ✓ Surge transients: 61000-4-5
- ✓ Conducted disturbance: 61000-4-6
- ✓ Voltage dips, interruptions & Variations:61000-4-11

Electrical Spec:

Absolute Maximum Rating

Input					
Description	Min	Typ	Max	Units	Comment
Voltage	90	120/240	264	VAC	2 Wire No Protection Ground
Frequency	47	50/60	63	Hz	

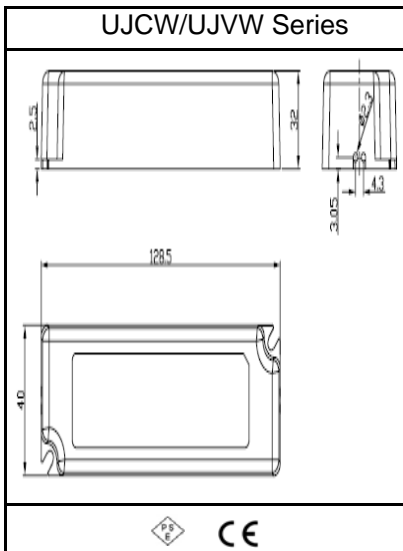
Environmental					
Description	Min	Typ	Max	Units	Comment
Operating Temperature	0	-	50	°C	Free Convection,Sea level
Non-Operating Temperature	-20	-	85	°C	Free Convection,Sea level
Operating Humidity	5	-	95	%RH	No Condensing
Non-Operating Humidity	5	-	95	%RH	No Condensing

Typical model list:

LED Driver 30W Series Desktop

Input Condition		DC Output Voltage	DC Output Current	Option/Remark
Input Voltage: 90V-264Vac Frequency: 47-63Hz	1	17V	1.75A	
	2	25V	1.05A	
	3	32V	1.05A	
	4	36V	1A	
	5	42V	0.7A	
	6	56V	0.5A	
	7	-	-	-

Mechanical Spec:



Packing Spec:

Type	Pcsper Carton	Gross Weight (kg)	Net Weight(kg)	Size(mm)	CBM(m2)	Container	Ctn/Container	Pcs/Container	Gross Weight (Ton)	Remark
UJCWUJVW330	100	18.5	17	360x340x320	1x1.2	20	480	48000	9120	Bulk package